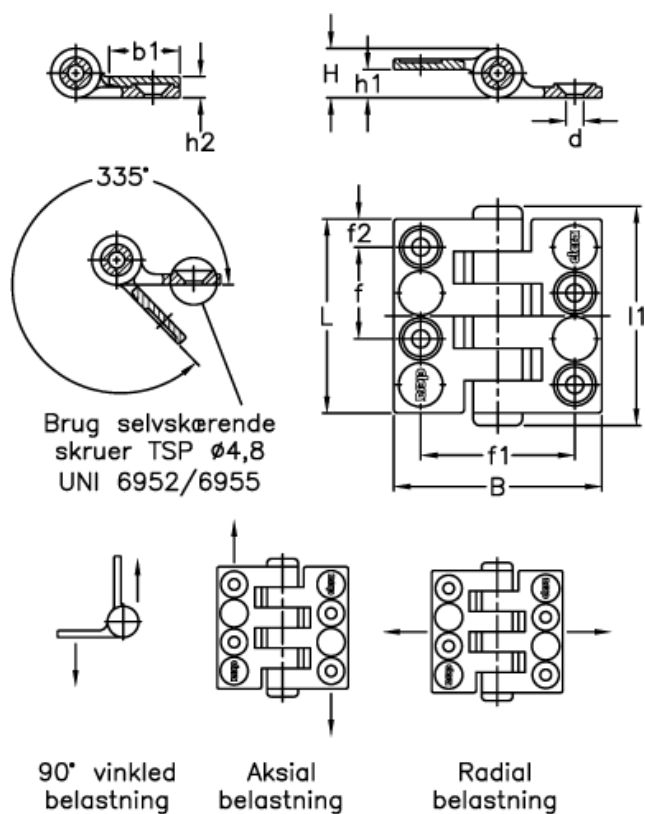


Data Sheet



Article number: 2310422611
 Description: E+G Hinge
 CFC.55 SH-5

Measures



90 degrees ultimate strength R90 (N)	= 270
Axial ultimate strength Ra (N)	= 1500
B	= 59
b1	= 20
d	= 5
f +/-0.25	= 26.1
f1 +/-0.25	= 43.7
f2	= 8

H	= 14
h1	= 8
h2	= 6
L	= 55
l1	= 62
Max. axial load Ea (N)	= 750
Max 90 degrees load E90 (N)	= 180
Max radial load Er (N)	= 890

Max tightening torque
 Radial ultimate strength